

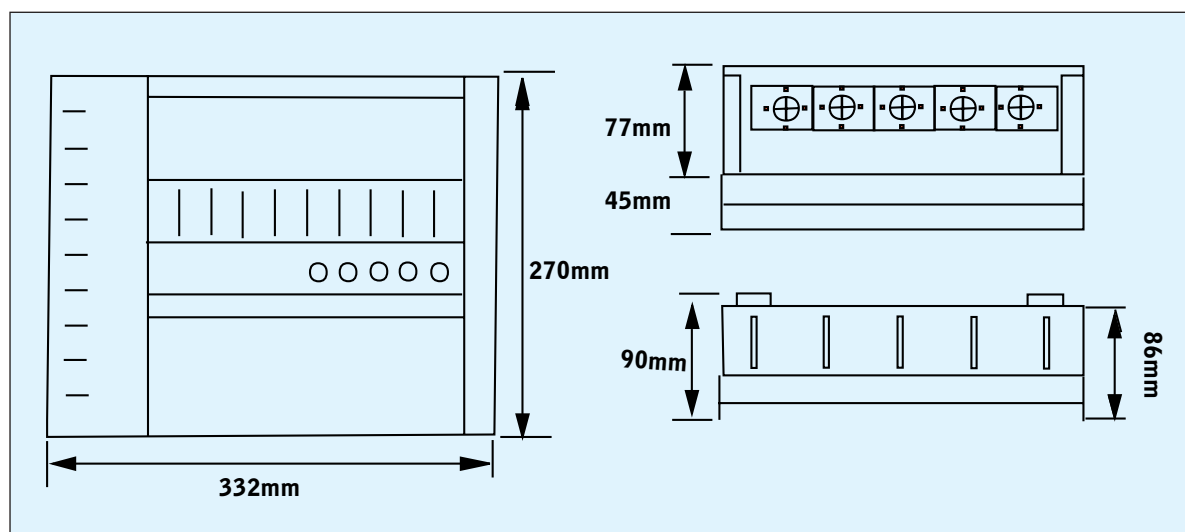
Firedex 2200 Conventional Fire Alarm

Firedex 2200 series is an attractively styled range of 2, 4 and 8 zone panels developed to provide the reliability of the latest electronic circuitry in a compact enclosure. The panels are suitable for either surface or semi-recessed installation and conform to EN54 parts 2 & 4, and to BS 5839: Part 1 installations.

All panels are accessed via a five digit tactile keypad, enhancing the security. Class change contacts are fitted as standard to all panels, and a no fuse design (except on the auxiliary relay contacts) means higher integrity and easier maintenance.

Features

- Robust, stylish, fire retardant polycarbonate enclosure
- Approved to EN54 Pts 2 and 4
- Suitable for BS 5839 Part 1 installations
- Simple keypad access
- Neat log book holder
- Integral battery and charger
- Separate battery compartment
- Battery high and low voltage alarm
- Battery charge complete with temperature compensation
- Single 12 volt battery
- Zone and sounder disable/enable facility
- Walk test function to assist in commissioning
- Mutable internal buzzer
- No fuses (except on auxiliary contacts) poly switch protection
- Class change contacts as standard
- Programmable fault or fire contacts



Essential operating instructions are immediately to hand on the reverse of the fold down door. A separate compartment enables easy inspection of batteries.

The log book supplied is housed neatly within the panel and shows zone locations. A second table of zone locations is provided on the back of the log book to accommodate any future alterations.

JSB was the first company to incorporate a special design feature allowing conventional 24 volt detectors and sounders to be operated from a single 12 volt battery (except FX2208).

The power supply/charger is one of the most important features of any system, hence the Firedex range provide high and low volts battery alarm with charger temperature compensation fully compliant to BS EN 60950.

FX2200 series panels provide a one-man walk test facility for the commissioning engineer and for the end user, a weekly system test facility.

Removable 20mm cable entries do away with the need for knock-outs or drilling of the control panel.

The disable facility for zones and sounders means that a particular area can be disabled to allow work to be carried out. This feature is especially useful for operations that involve dust, steam or smoke generation that are likely to trigger a fire condition, by simply disabling that particular area until work is completed.

Repeater panels

Repeater panels (up to four) may be specified for use on the FX2202/C and FX2204/C panels (custom option, order as above) or as standard with the FX2208. Zonal line monitoring is provided on all FX2200 series panels ensuring system integrity is not sacrificed.

Zonal line monitoring

To comply with BS 5839 Part 1 1988, as amended in January 1991, all zone circuits are complete with a JSB Firedex End of Line Monitor unit (EOLM-1) which sends a signal back to the panel from the end of line on each zone.

JSB detectors and bases operate such that if any or all detectors are unplugged, then this signal is blocked and the Firedex 2200 panel registers a fault. However, the power is maintained to any break glass call points in circuit, right up to the end of line, so that if a call point is operated, the panel will respond and sound the alarm. For this reason is essential that only JSB detectors are used.

Zonal configuration

Normally each zone circuit is configured for conventional zonal line monitoring using and EOLM-1 unit, but alternatives are available. Custom panels can be specially ordered in the following configurations:

1. Beam detector, up to 4 per zone. EOLM-1 required, $\pm 24V$ supply required from panel
2. Non-latching for interlinking panels. EOLM-1 required.
3. Non-latching non driving for acting as a central control panel, EOLM-1 required.

Class change facility

This is provided on all Firedex 2200 panels and allows an external contact to operate the sounders.

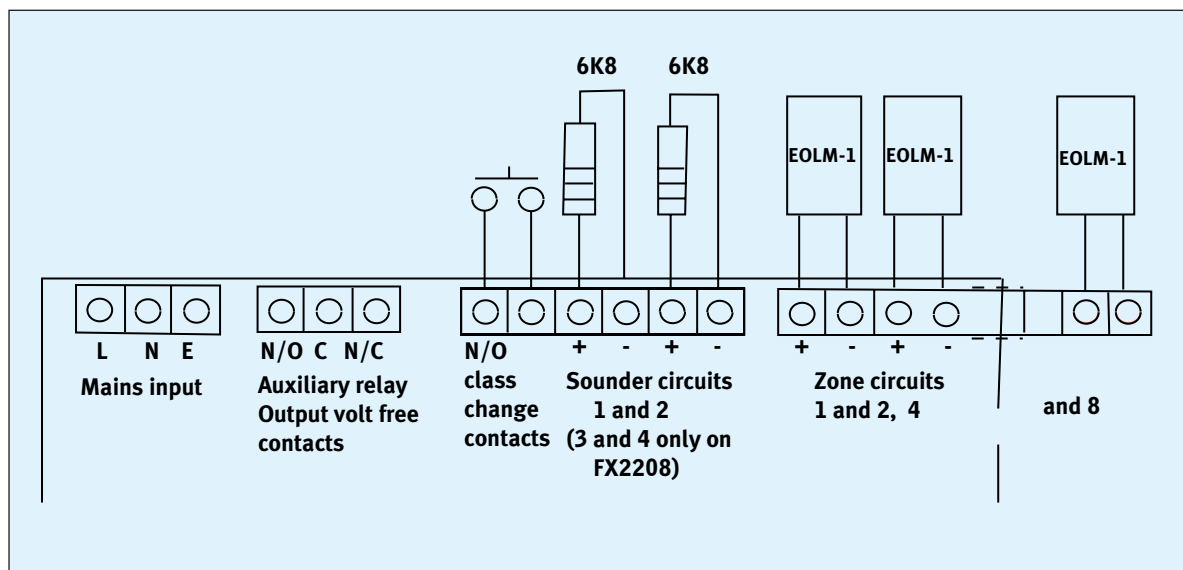
Auxiliary relays

The additional relays can be configured as follows:

1. Fire as standard
2. General fault – responds to any fault: zonal, sounder, mains supply or charger
3. Zonal fire – responds to a fire in a designated zone
4. Interlink relay – for use with a single non-latching zone circuit to facilitate interconnecting Firedex 2200 panels
5. Shopping mall relay for use with 3 non-latching zone circuits

Further variations on customised panels are available on request.

Firedex 2200 Conventional Fire Alarm



Internal connections FX2202, FX2204 and FX2208

Sounder circuits

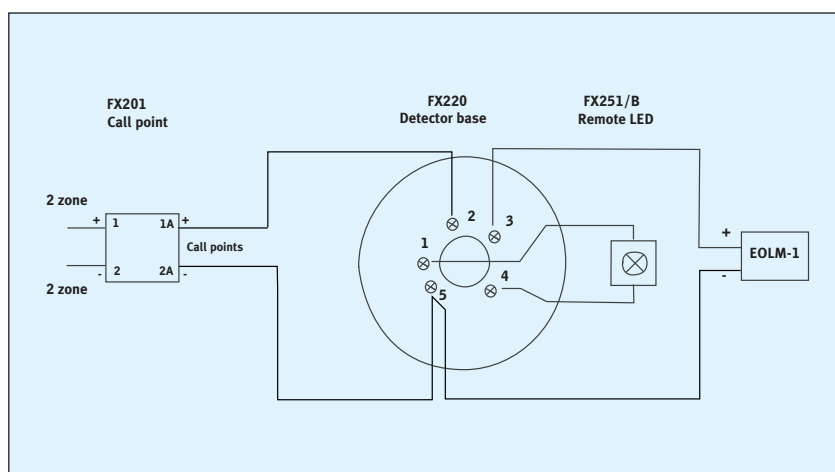
The FX2208 has four sounder circuits.

1 and 2 are always configured as conventional fire alarm sounders, but circuit pair 3 and 4 can be arranged as follows:

1. To follow sounders 1 and 2 – i.e. as a fire alarm sounder as standard
2. *To pulse 1 sec on/1 sec off until a second fire occurs when it operates continuously
3. * To pulse for 120 seconds then to operate continuously
4. *To delay for
 - a) 30 seconds
 - b) 60 seconds
 - c) 90 seconds
 - d) 120 seconds

* For special purposes only, as these facilities may not be in strict conformance to BS 5839.

Please specify at time of ordering.



Typical FX220 series detector, FX201 series call point and FX251/B remote LED wiring

Zone disable

During building maintenance it is sometimes necessary to disable a zone temporarily. This facility is included on all Firedex 2200 series panels. For electrical maintenance the zone wiring should be disconnected at the Firedex panel.

Routine testing

To enable the user to simply and safely test the fire alarm system

each week, a single shot auto-reset is included throughout the Firedex 2200 range. This facility permits the user to test a call point, after which the sounders will operate for a short time and the panel will automatically reset and return to normal. The weekly test routine as specified in BS5839 Part 1 can therefore be completed simply and quickly by one person.

Firedex FX2200 Conventional Fire Alarm

Specification			
Order code	FX2202	FX2204	FX2208
Number of zones	2	4	8
Detectors per zone	20	20	20
Number of alarm lines	2	2	4
Alarm circuit load	0.3A	0.8A	2A
Mains input voltage	230V + 10% – 15%	230V + 10% – 15%	230V + 10% – 15%
System operating voltage	24V DC	24V DC	24V DC
Standby duration*	24 hours	24 hours	24 hours
Battery	1 x 12 volt 3.2Ah	1 x 12 volt 3.2Ah	2 x 12 volt 3.2Ah
Recharge period	24 hours to 100%	24 hours to 100%	24 hours to 100%
Auxiliary contact	1 x fire or fault	1 x fire or fault	1 x fire and fault
Contact rating	5A 24V DC/240V AC	5A 24V DC/240V AC	5A 24V DC/240V AC
Repeater port	No	No	Yes
Class change	Yes	Yes	Yes
Environmental rating	IP20	IP20	IP20
Cable entries	Top: 12 push out cable entries Limited back entry	Top: 12 push out cable entries Limited back entry	Top: 12 push out cable entries Limited back entry
End of line monitoring: Alarm lines	6K8	6K8	6K8
Detection circuit	EOLM-1	EOLM-1	EOLM-1
24V auxiliary DC output	No – see below	No – see below	0.3A
Panel dimensions (mm)	332 x 270 x 90	332 x 270 x 90	332 x 270 x 90
Semi-recessed box (mm)	327 x 265 x 77	327 x 265 x 77	327 x 265 x 77

Custom options available			
Available sounder circuits	4	4	4
Available volt free contacts	1 x fault, 1 or 6 configurable	1 x fault, 1 or 6 configurable	1 x fault, 1 or 8 contacts 8 configurable
Contact rating	5A 24V DC/240V AC	5A 24V DC/240V AC	5A 24V DC/240V AC
24 volt aux DC output	0.3A	0.3A	0.3A
Repeater port	Yes	Yes	Yes

Order Codes			
Standard	FX2202	FX2204	FX2208
Custom	FX2202/C	FX2204/C	FX2208/C
Repeat panel for 2, 4 and 8 zone panels	FXRP2200	FXRP2200	FXRP2200
Semi-recessed box	FX2200MB	FX2200MB	FX2200MB

* Additional battery standby time is available on request. Contact technical sales.

